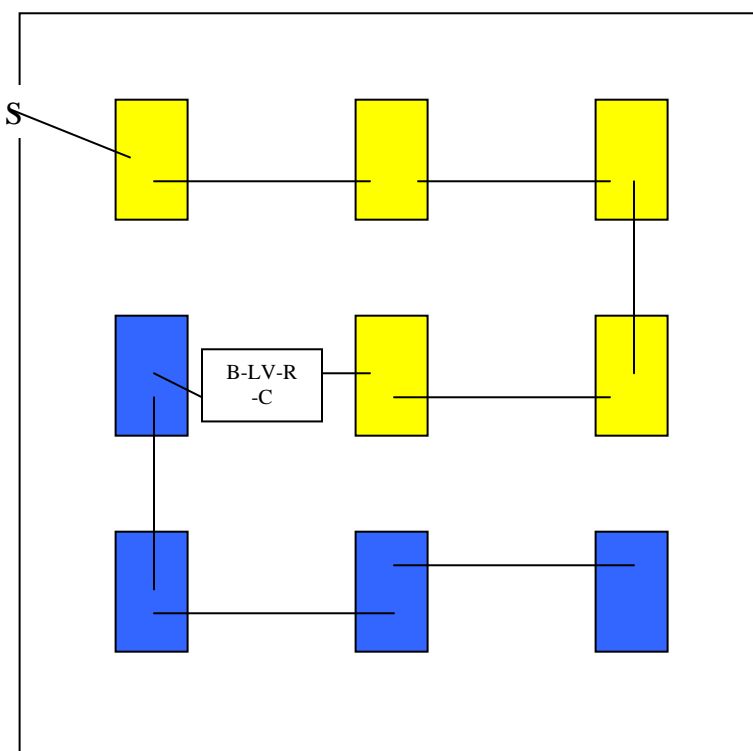




4576 Echo Lane, Stacy, MN 55079
800.522.1196 - Phone 651.462.3992 - Fax
www.switchgenie.com info@switchgenie.com

Compliance Model - Bi-Level-R

In a room with nine fixtures, install 1 of the Compliance - Bi-Level-R modules on the feed line to the 4 Blue fixtures as shown. This complies with the requirements for bi-level lighting controls.



The Bi-Level-R is a 4" x 6" x 2" steel box that has a chase nipple that connects to an existing box on the existing wiring. There are 3 wires, black, white and blue, that connect to the existing wiring with wire nuts. No new wires are required.

UL Listed, Patented, Made in USA.

SwitchGenie, LLC.
4576 Echo Lane, Stacy, MN 55079
www.switchgenie.com

Toll Free 1.800.522.1196
info@switchgenie.com