

If your objective is to Save Energy,
Turn on lights

One lamp at a time...

Let us introduce

SwitchGenie

The simplest way to save energy is to turn on *one lamp at a time...* with the existing wall switch!



Save maximum energy by turning on *one lamp at a time...*

- Turn on a switch and turn on one lamp in each fixture
- The eye adjusts to the light so this energy saving setting will probably be bright enough
- The full output of the fixture is available but it takes effort to get the lights on

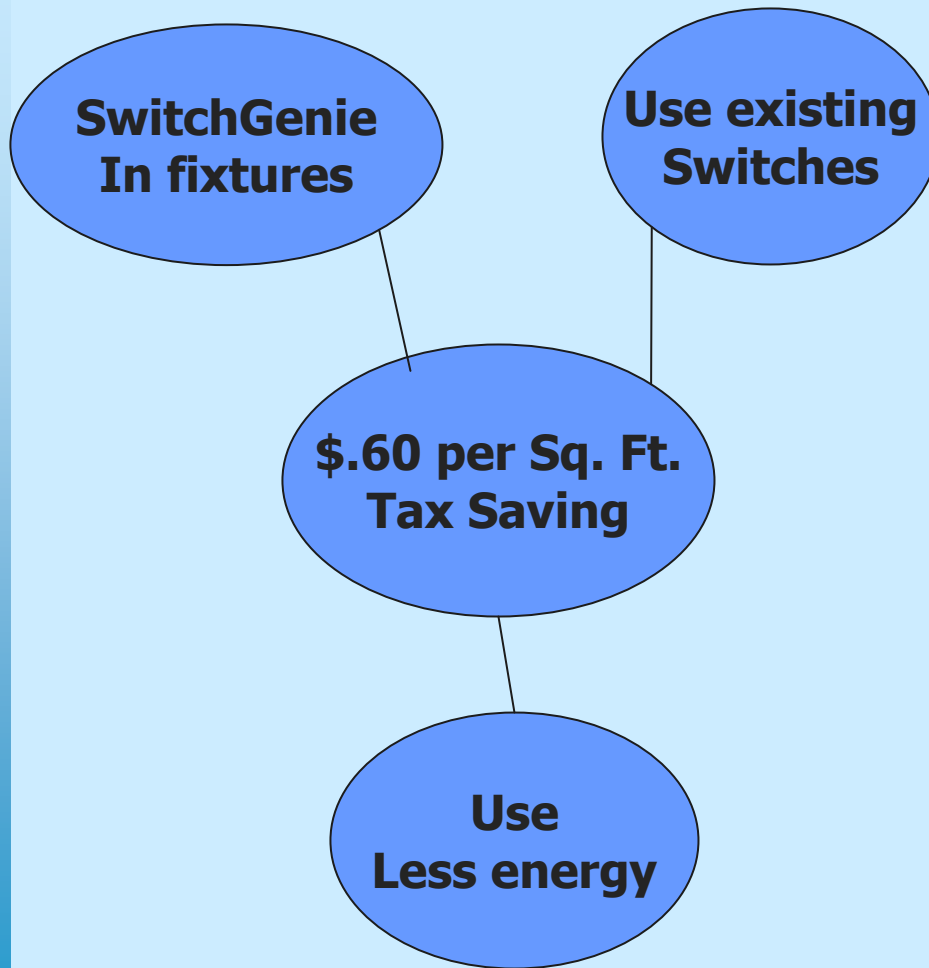
How is it done now?

- Walk into a room with two light switches for inboard/outboard switching and you turn on BOTH switch with one pass. It turns on ALL the lights on those switches, full bright.
- If there is only one switch, all the lights come on full bright.
- It's like a radio without a volume control.

How we save energy...

- The Switch Genie ballast default setting is to turn on only one lamp.
- You walk in and flip the switch on and go about your business.
- Your eyes adjust and you **SAVE** the **MAXIMUM** amount of energy.
- If you become aware that you need more light, you can get it.

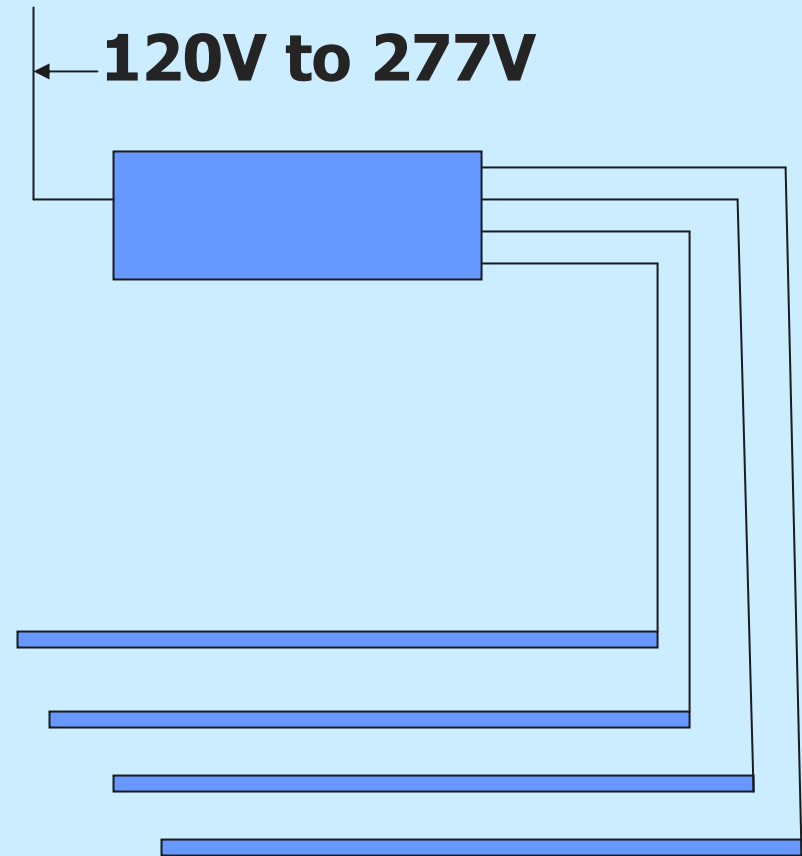
There are financial incentives



- EAct 2005 requires Bi-level switching to qualify for tax deductions of \$.60 per square foot.
- ASHRAE/IESNA 90.1-2001 sets the watts per square foot to be used.
- IES recommendations provide the minimum light levels.
- If you meet all 3 you get the tax deduction.

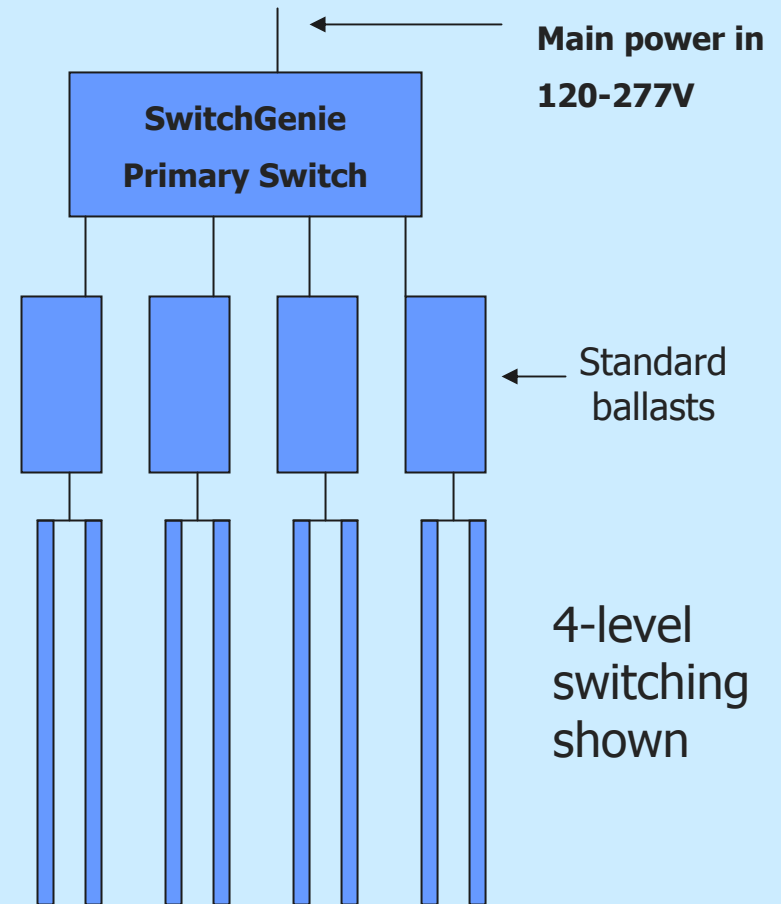
SwitchGenie Switching instant start Ballast controls T8 lamps:

- The SwitchGenie is a microprocessor controlled ballast.
- The power comes in and one lamp comes on. Toggle the switch and another lamp comes on.

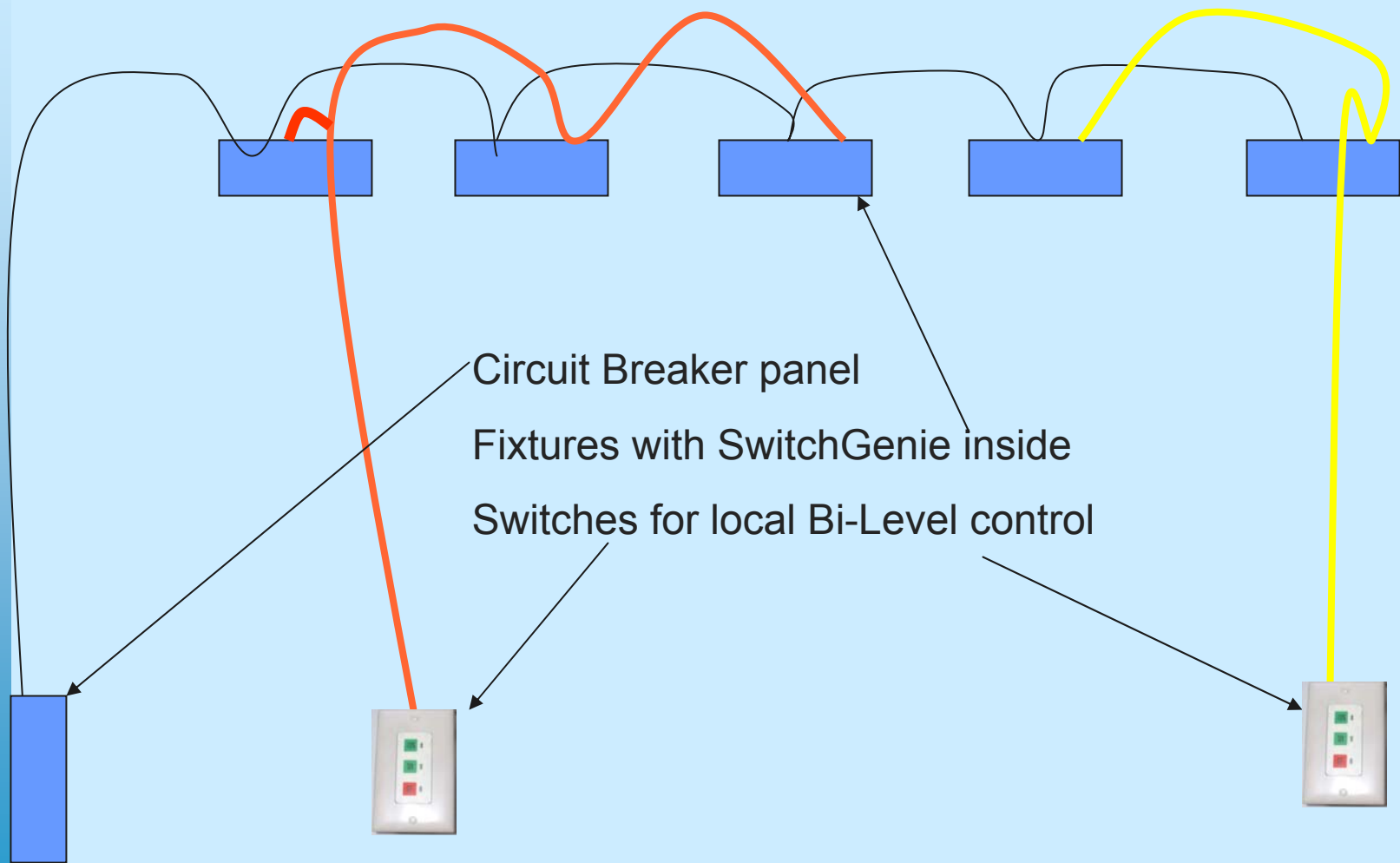


SwitchGenie Primary Switch works on fixtures with more than 4 lamps using normal ballasts.

- The Primary Switch is a computer controlled electronic routing switch.
- The power comes in and is switched to control up to 4 ballasts that are switched individually or in groups of 2



Another feature is zone control. What you hook together works together



SwitchGenie is simple to use ...

For fluorescent ceiling fixtures:

- Install SwitchGenie Ballast in existing fixtures. Normal switch leg switch wiring is required to operate Ballasts without any controls.
- In new construction or fixtures with ballasts installed. Wire with one switch per room.
- For additional direct multilevel control in the room, run low voltage wires in a daisy chain to a controller.
- Use only the light required and save energy

SwitchGenie is simple to use ...

For linear Hi-Bay fluorescent fixtures

- Install SwitchGenie Primary Switches on existing fixtures and connect together with low voltage wires
- Connect low voltage wires to controller to control fixtures as a group of lights that are to operate together.
- Wireless controls allow central control from PC control that is IP addressable.
- Occupancy sensors, daylight harvesting sensors and time clocks connect to the low voltage daisy chain cable and operate the lighting group of lights.

You do NOT need a Controls Division!

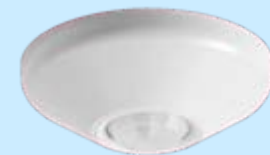
- SwitchGenie products are so simple to install and operate that anyone can use them.
- No controls are required. Use existing switches.
- Our products do NOT need programming or commissioning.
- Save energy by allowing customers to turn on only the lights they need.
- We can do one fixture by itself or we can do an entire room.

SwitchGenie Optional Controls

- Local control switches to fit into regular switch boxes
- Use Décor plates for stylish looks
- Motion sensor switches
- Daylight Harvesting photo sensor switches
- Time Clock switches (ours or building management systems by others)

SwitchGenie System Options

- A SwitchGenie Ballast goes into each fixture
- Telephone cable can be run on the surface outside of the conduit
- Place a SwitchGenie wall switch where ever it is convenient to control the lights. Some codes require a switch by every door.
- Add SwitchGenie Motion sensor switches in rooms that are normally occupied.
- Add SwitchGenie Daylight harvesting switches to lights by windows or skylights



Everything you need:
A Ballast for every Fixture
SwitchGenie Primary Switches and Controls
when they are needed
Use standard switches so the customer can
turn on the lights they want.

It's just that simple.

What you hook together, works together.

Energy saving is easy: Install our Ballasts and use existing switches...

- Pick the fixtures that do the best job for lighting your space
- Add SwitchGenie Ballasts to the fixtures
- Use existing switches and turn on only the light you need.
- Save energy. We'll show you the payback.

Call SwitchGenie now.

- ***One lamp at a time...***

See for yourself how the
SwitchGenie System works.